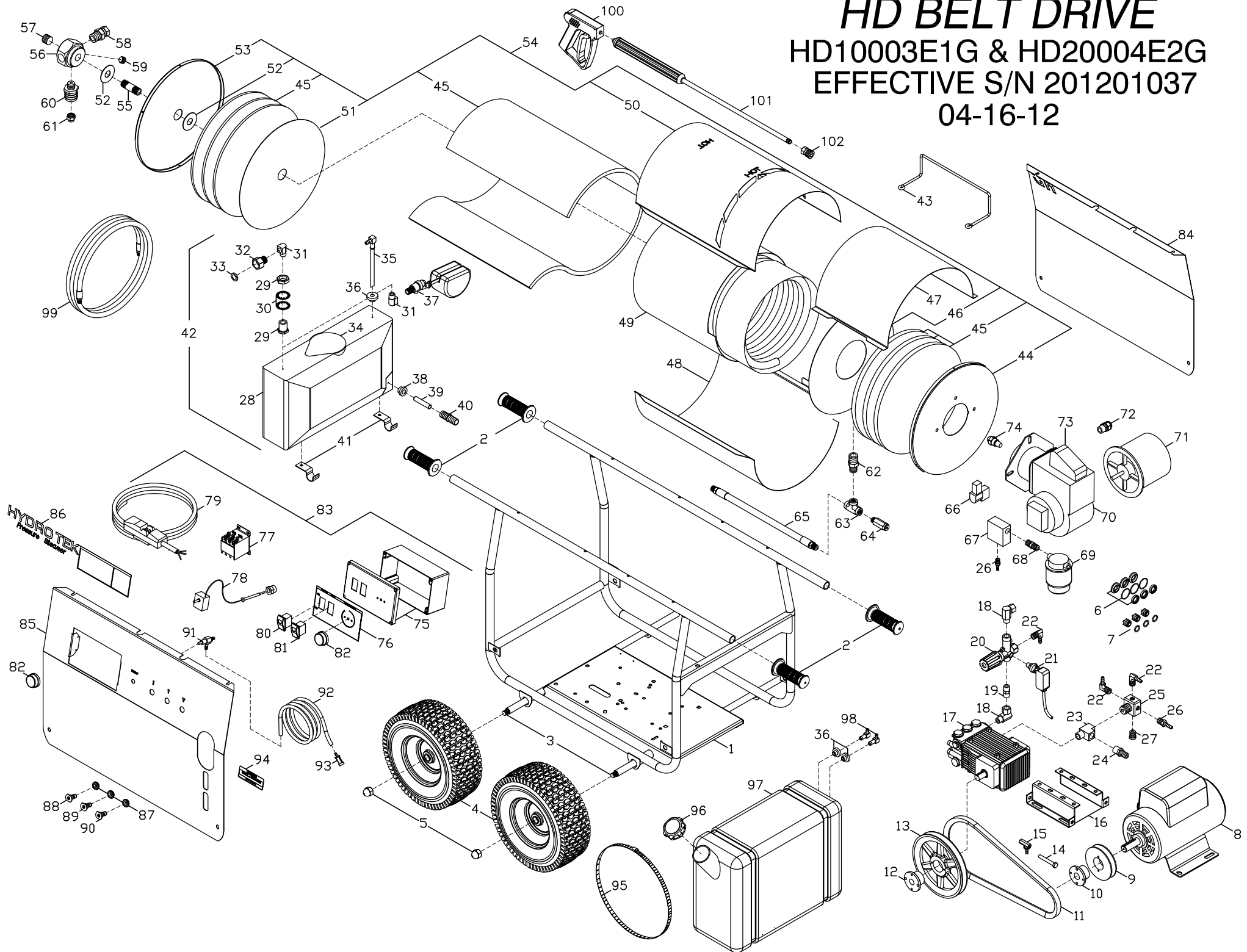


HD BELT DRIVE

HD10003E1G & HD20004E2G
EFFECTIVE S/N 201201037
04-16-12



HD10003E1G & HD20004E2G (BELT DRIVE) PARTS LIST

S/N201201037

16-Apr-12

1	HHD00	HD FRAME STAINLESS	38	DFF10	WATER TANK BUSHING 5/8"	74	BZ150	FUEL NOZZEL 1.5 80B (HD10003E1G)
2	HL010	HAND GRIP 1in MX	39	VF050	STRAINER TUBE FOR FLOAT TANK		BZ200	FUEL NOZZLE 2.00 80B (HD20004E2G)
3	SR625	ROD, THREADED 5/8 ZINCE PLATED				75	HHD52	ELECT BOX HD LASER CUT
4	HT127	WHEEL&TIRE TURF 13x5.00-6 3/4 BEARING GREY	40	D1010	SPLICER 5/8 BRASS	76	GLL82	LABEL CONTROL HD
5	FNA09	NUT ACORN 5/8-11	41	HH310	FLOAT TANK HINGE (SSTEEL) ASM	77	ECC22	CONTACTOR 40AMP 120V 3 POLE (HD10003E1G)
6	K161	PACKING KIT; 18MM	42	WT050	FLOAT TANK ASM W/VALVE SPECIFY		ECC21	CONTACTOR 40AMP 240V 3 POLE DEF (HD20004E2G)
7	K167	PACKING ASSEMBLY; 18MM	43	HHP29	WIRE HOSE HOOK- ZINC PLATED	78	ECH50	THERMOSTAT 60-250 1 GP PART=25
8	ME205	MOTOR 2.0 HP 3450 C-FACE (MAGNETEK) (HD10003E1G)	44	B0004	HG COIL HEAD 4"ID x 14" ASM	79	EP120	GFI PLUG/CORD 115V 20AMP (HD10003E1G)
	ME504	MOTOR 5 HP 208/230 1PH 3450 MT (HD20004E2G)	45	BN053	INSUL BLKT 50SQ' 1/2 x 24 6# 25'		EP125	GFI CORD 240V 30AMP
9	KT034	SHEAVE BK34H (HD10003E1G)	46	BN105	DISC RETAINER 12.25"OD W/4.375" HOLE	80	EC411	ROCKER SWITCH 110V CLEAR (HD10003E1G)
	KT032	SHEAVE BK32H (HD20004E2G)	47	HHD05	HD/SM BURNER RAIN GUARD		EC421	ROCKER SWITCH 230V CLEAR (HD20004E2G)
10	KSH09	BUSHING 5/8 H (HD10003E1G)	48	B0104	COIL WRAP BOTTOM 14" HG/HD			
	KSH12	BUSHING H 3/4 (HD20004E2G)	49	BC224	COIL REPLACEMENT-HD,HG,SM,CPL,HJ SERIES	81	EC410	ROCKER SWITCH 110V RED (HD10003E1G)
			50	B0103	COIL WRAP TOP DUAL PASS H		EC420	ROCKER SWITCH 230V RED (HD20004E2G)
11	KSB38	BELT BX38 (HD10003E1G)				82	ECH70	KNOB; BLUE .25 x 1.50OD
	KSB32	BELT BX32 (HD20004E2G)	51	BN127	DISC RETAINER 13.20" OD W/1.30" HOLE	83	EHD21	HD10003 BOXASSM 2HP 115V 1PH (HD10003E1G)
12	KSH19	BUSHING H24 MM	52	FW225	WASHER 2.25in OD 16GA STAINLESS STEEL		EHD62	HD PUMP BOX ASSM 6HP 230V 1PH (HD20004E2G)
13	KT080	SHEAVE BK80H (HD20004E2G)	53	B0003	HG COIL CAP 1 3/8" x 14.00"	84	HHD31	HD REAR PANEL
	KT105	SHEAVE BK105H (HD10003E1G)	54	BC221	COIL ASM 1PK SCH 80 HG SERIES	85	HHD30	HD CONTROL PANEL
14	FB641	BOLT 3/8" x 2.50" PLD ALLTHREAD	55	BC830	BURNER NIPPLE 1/2" x 3.00" SCH 80 BLK PIPE	86	GLL75	LABEL HYDRO TEK 34 x 3.00
15	HPR60	PUMP RAIL BOLT	56	HHA01	HEX MANI OUTLET 1/2 x 1/2 x REEL	87	HLB09	NOZZEL GROMET HOLDER
16	HPR10	PUMP ANGLE RAIL AR 4000 10GA	57	D1082	PLUG 1/2", STEEL HEX HEAD FLUSH	88	NQ552	NOZZEL/QDC 055 x 15 (HD10003E1G)
17	PG350	PUMP 3.5 @2500 24MM SHAFT	58	DE568	SWIVEL 23/8"F x 1/2"M STEEL		NQ502	NOZZEL/QDC 05 x 15 (HD20004E2G)
18	DE866	SWIVEL 3/8"F x 3/8"M 90	59	D1061	PLUG 3/8 STEEL HEX HEAD FLUSH	89	NQ554	NOZZEL/QDC 055 x 40 (HD10003E1G)
19	DB506	NIPPLE 3/8" STEEL	60	UPB05	ADAPTER FITTING-BURST DISC		NQ504	NOZZEL/QDC 05 x 40 (HD20004E2G)
20	UU260	UNLOADER, ST261 NO SWITCH				90	NQ453	NOZZEL/QDC 045 x 25 (HD10003E1G)
			61	UPB80	BURST DISC 8000 PSI TORQUE 32-4		NQ403	NOZZEL/QDC 04 x 25 (HD20004E2G)
21	VS030	PRESSURE SWITCH 4000 PA/PR16	62	DB507	NIPPLE 3/8" x 1/2" STEEL			
22	D8040	HOSE BARB 1/4" 90 ELBOW	63	DE066	TEE 3/8" STEEL	91	VVC10	CHEMICAL MET VALVE MV-100 MOD
23	D6588	STREET TEE 1/2" BRASS	64	UP120	PRESSURE RELIEF 2000psi ORANGE (HD10003E1G)	92	DHB04	TUBING; CLEAR BRAIDED 1/4
24	D8070	HOSE BARB 5/8H x 1/2M .25id BLACK (HD10003E1G)		UP128	PRESSURE RELIEF 2800psi BLUE (HD20004E2G)	93	VF045	STRAINER CHEMICAL w/CHECK
25	HHA05	MINI MAN IFOLD-BRASS	65	DH002	HOSE 3/8" x 14" 5000PSI	94	GLL20	LABEL DIESEL FUEL ONLY
26	D8044	BARB, HOSE 1/4" BRASS	66	BPV10	FUEL VALVE 120V (HD10003E1G)	95	FC074	WORM GEAR CLAMP 2 1/2 x 13 1/4
27	D1040	PLUG 1/4" BRASS		BPV20	FUEL VALVE 220V (HD20004E2G)	96	WT080	FUEL CAP, DIESEL
28	WT040	TANK, FLOAT 4 GAL HD LINEAR (NO HOLES)	67	BPA10	FUEL PUMP MOD A2V-7116	97	WT075	FUEL TANK 7.5 DIESEL CLEAR
29	D7520	PANEL FITTING 3/4" BRASS	68	D2044	NIPPLE 1/4 BRASS	98	DFE04	FUEL TANK ELL 1/4
30	FW701	WASHER FLOAT TANK 1.75 OD 14 GA	69	BF020	FUEL FILTER RAYCOR HYDRO TEK	99	DH050	HOSE 3/8" x 50' 3000 PSI
			70	BU605	BURNER, BECKET 115V HG (HD10003E1G)	100	VG200	TRIGGER,GUN INSULATED 4000 PSI
31	D5566	STREET ELL 3/8" BRASS		BU602	BURNER , BECKET AFG 230V (HD20004E2G)			
32	D006M	GARDEN HA 3/8" NPT MALE				101	VW036	WAND 1/4" x 36" MOLDED GRIP
33	D0021	SCREEN WASHER GARDEN HA	71	BM556	BURNER MOTOR 115V BECKET H2G (HD10003E1G)	102	DQ04S	COUPLER 1/4" SOCK FEM
34	HH400	FLOAT TANK COVER; HINGED		BM562	BURNER MOTOR 220V BECKET (HD20004E2G)			
35	DF599	FUEL TANK ADAPTER W/PLASTIC TUBE	72	EWCO8	STRAIN RELIEF 1/2" HEYCO (3/8)			
36	DFF04	FUEL TANK BUSHING 1/4	73	BMT15	IGNITION TRANSFORMER 115V BECKET (HD10003E1G)			
37	VVF08	FLOAT VALVE 3/8" BRASS		BMT25	IGNITION TRANSFORMER-IRON CORE 240V BECKET (HD20004E2G)			